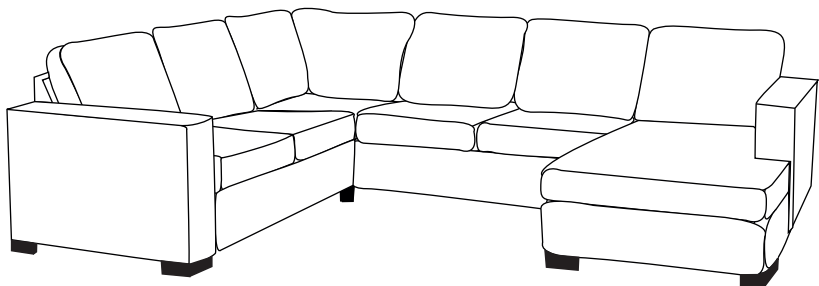


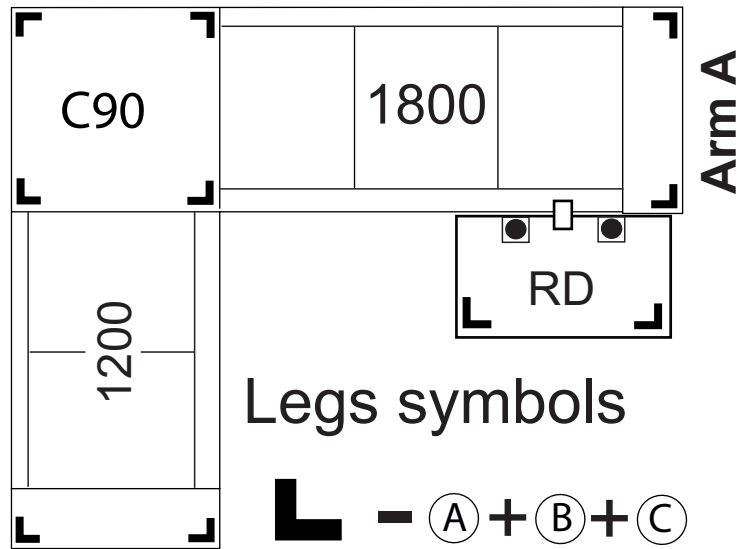
Nevada/Vegas Hornsoffa 2+3+sch assembly ARM A



Vegas



Nevada



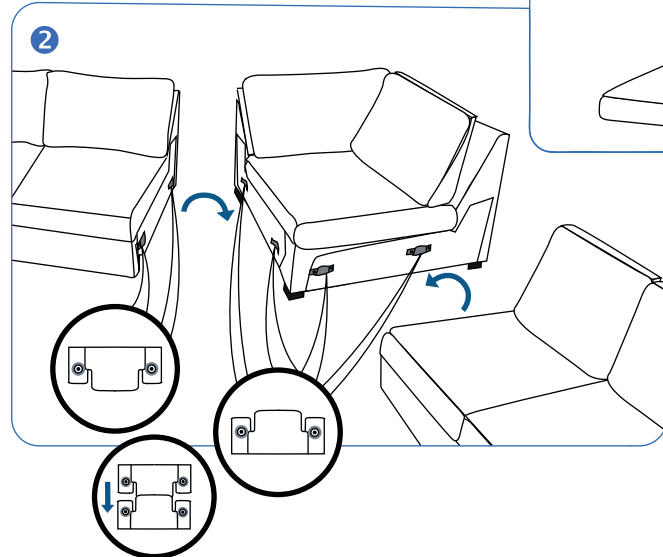
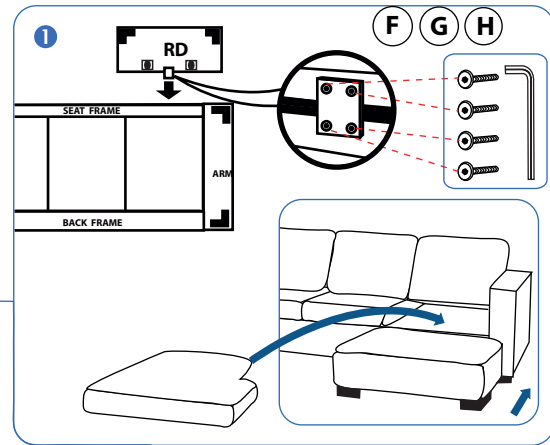
Legs symbols

- (A) + (B) + (C)

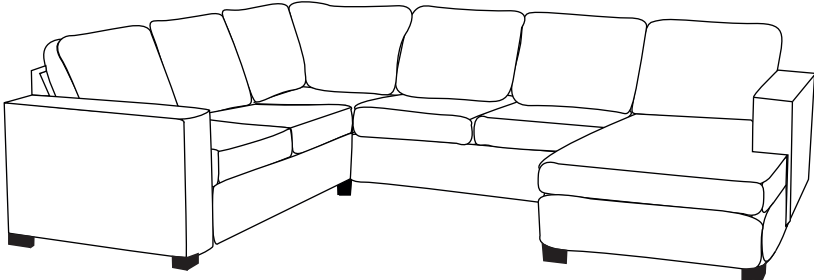
- (D) + (E) + (C)

Components - Fittings

<p>A 10 x </p> <p><i>Note: use only 3 screws in each leg!</i></p>	<p>B 30 x M5*50</p>	<p>C 32 x $\varnothing 27$ Felt</p>	<p>D 2 x H60</p>
<p>E 2 x M5*30</p>	<p>F 4 x M6*30</p>	<p>G 1 x </p>	<p>H 1 x </p>



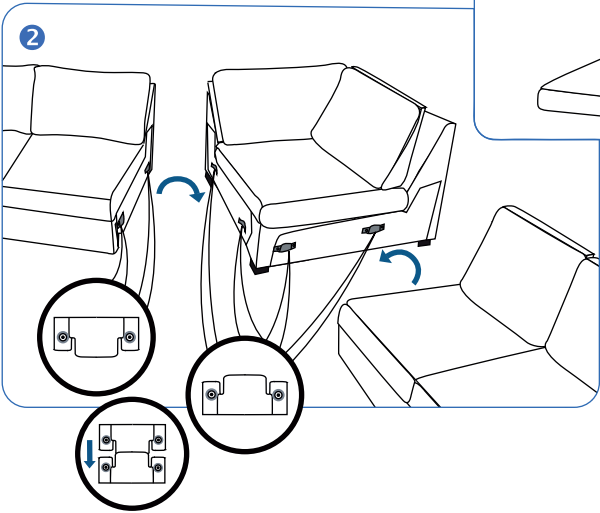
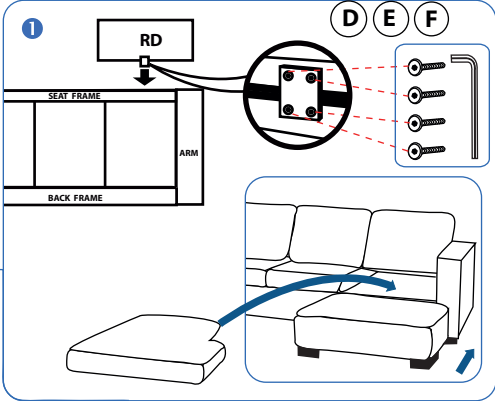
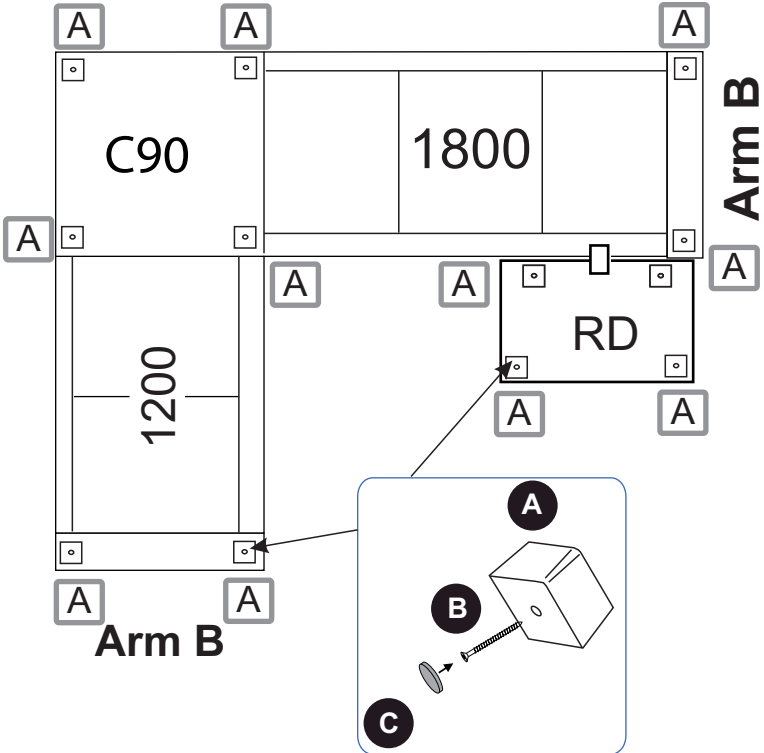
Nevada/Vegas Hornsoffa 2+3+sch assembly ARM B



Vegas



Nevada



Components - Fittings

<p>A</p> <p>12 x </p>	<p>B</p> <p>12 x M5*50</p>	<p>C</p> <p>12 x $\varnothing 27$ Felt</p>	<p>D</p> <p>4 x </p>	<p>E</p> <p>1 x </p>
<p>F</p> <p>1 x </p>				

