
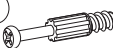


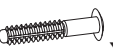



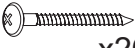
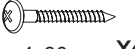




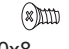




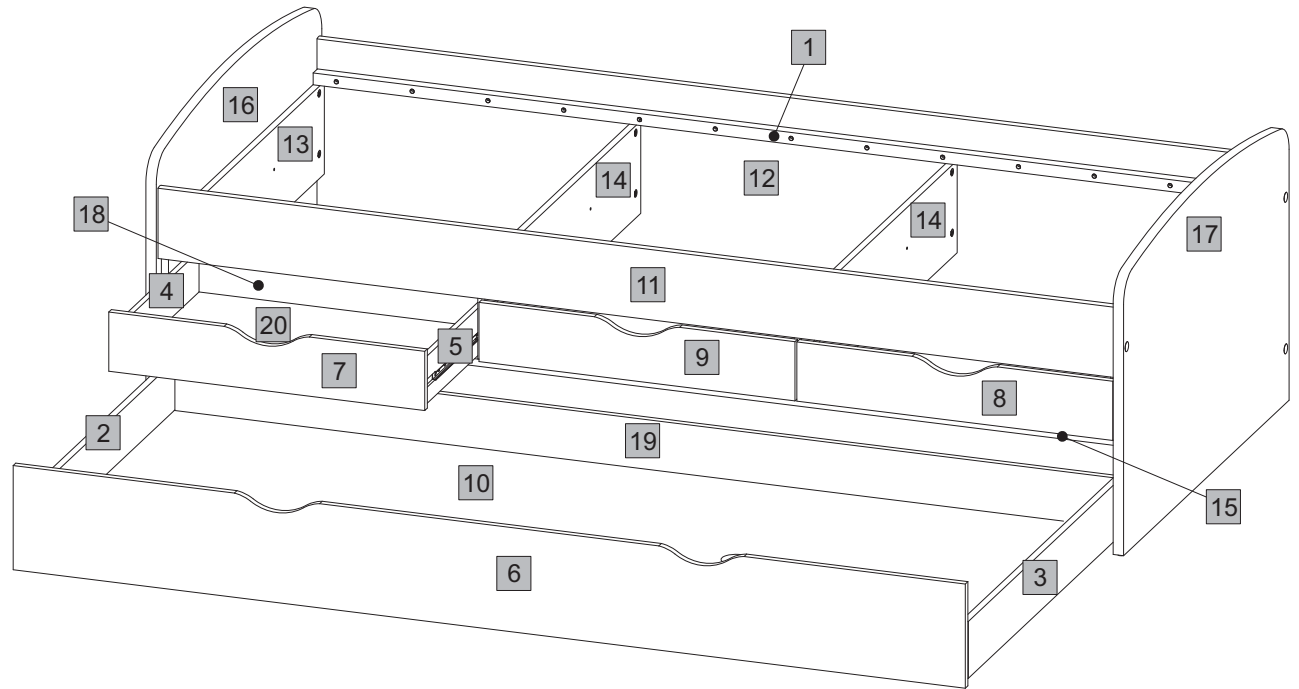


- B1**  ϕ 8x28 x52
- T1**  x32
- M1**  x26
- C2**  ϕ 20 x6
- B4**  x12
- M12**  x6
- K2**  7x70 x6
- S15**  4x45 x12
- P7**  4x40 x26
- P5**  4x30 x4
- F15**  x4

- I4**  x6
- S3**  3,5x13 x12
- R11**  350 x6
- E4**  6,0x8 x12
- A1**  M4x9 x6
- J23**  x12
- L21**  x4
- P13**  3,5x13 x16

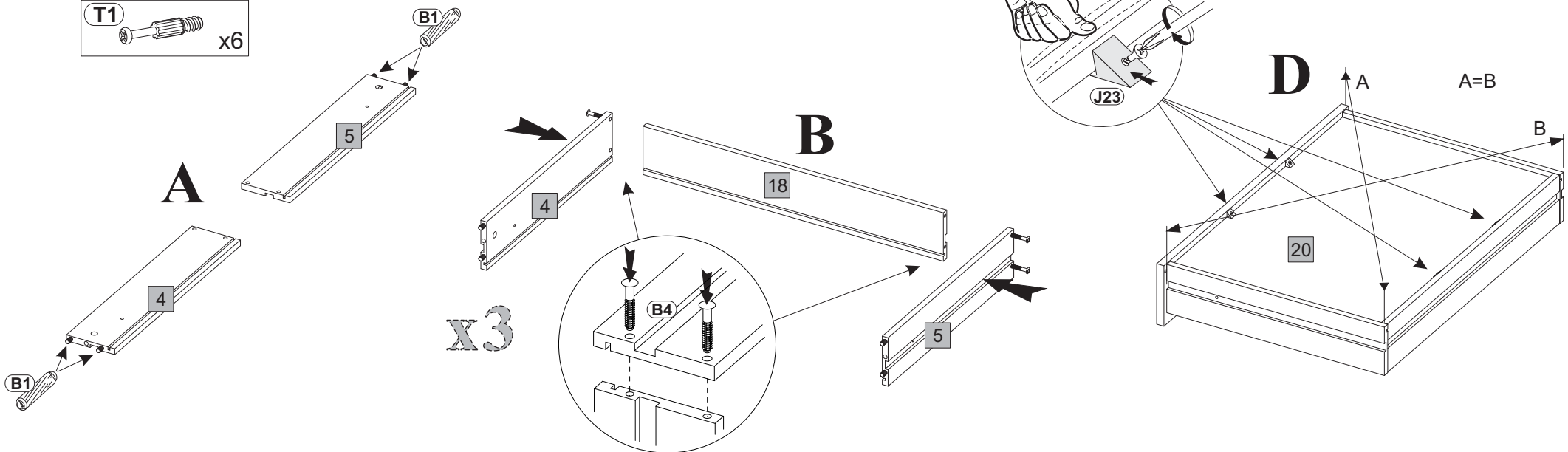
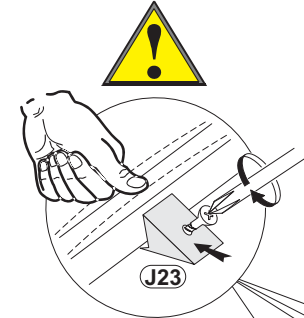
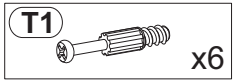
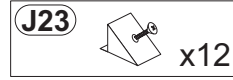
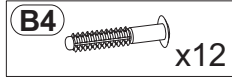
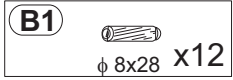
| Nr | Ausmaß | | St | Colli |
|----|--------|--------|----|-------|
| 1 | 2018 | 25 25 | 2 | 2 |
| 2 | 900 | 120 15 | 1 | 1 |
| 3 | 900 | 120 15 | 1 | 1 |
| 4 | 450 | 100 12 | 3 | 3 |
| 5 | 450 | 100 12 | 3 | 3 |
| 6 | 2010 | 220 15 | 1 | 2 |
| 7 | 667 | 125 15 | 1 | 1 |
| 8 | 667 | 125 15 | 1 | 1 |
| 9 | 667 | 125 15 | 1 | 1 |
| 10 | 1982 | 900 15 | 1 | 5 |
| 11 | 2020 | 150 18 | 1 | 2 |
| 12 | 2020 | 520 18 | 1 | 3 |
| 13 | 904 | 195 15 | 2 | 1 |
| 14 | 904 | 195 15 | 2 | 1 |
| 15 | 2020 | 180 15 | 1 | 2 |
| 16 | 960 | 630 22 | 1 | 4 |
| 17 | 960 | 630 22 | 1 | 4 |
| 18 | 621 | 100 12 | 3 | 3 |
| 19 | 1982 | 104 15 | 1 | 2 |
| 20 | 632 | 449 2 | 3 | 4 |



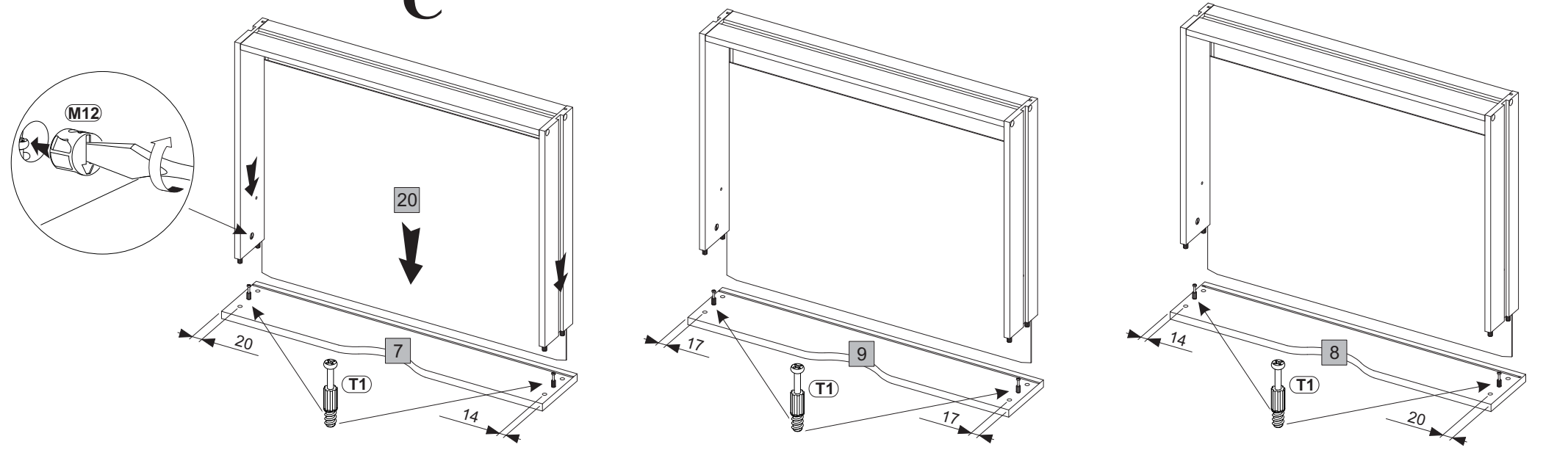
0 10 20 30 40 50 60 70 80 90 100 110 120 130 140 150




1

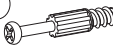



C




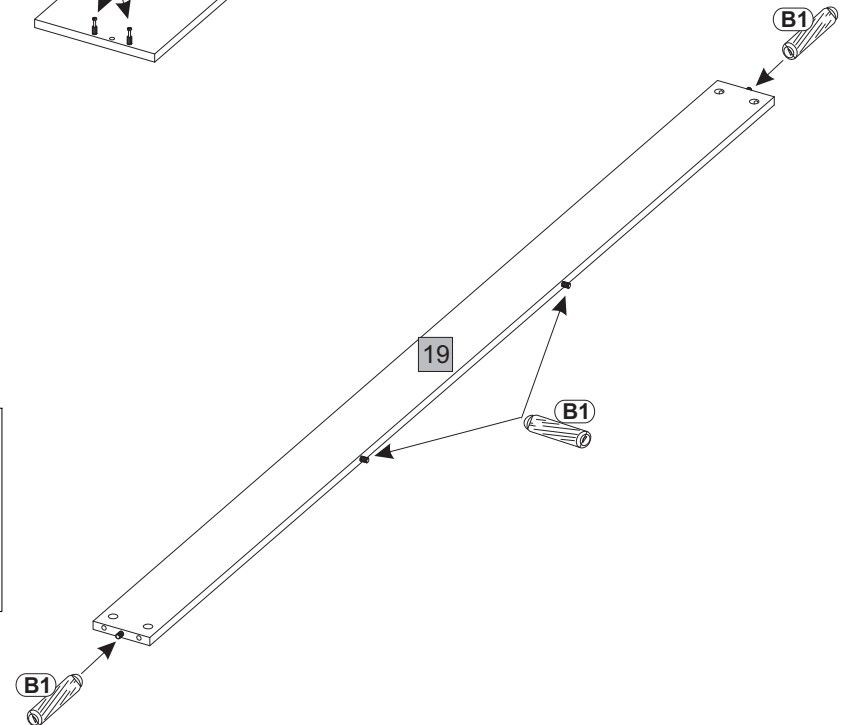
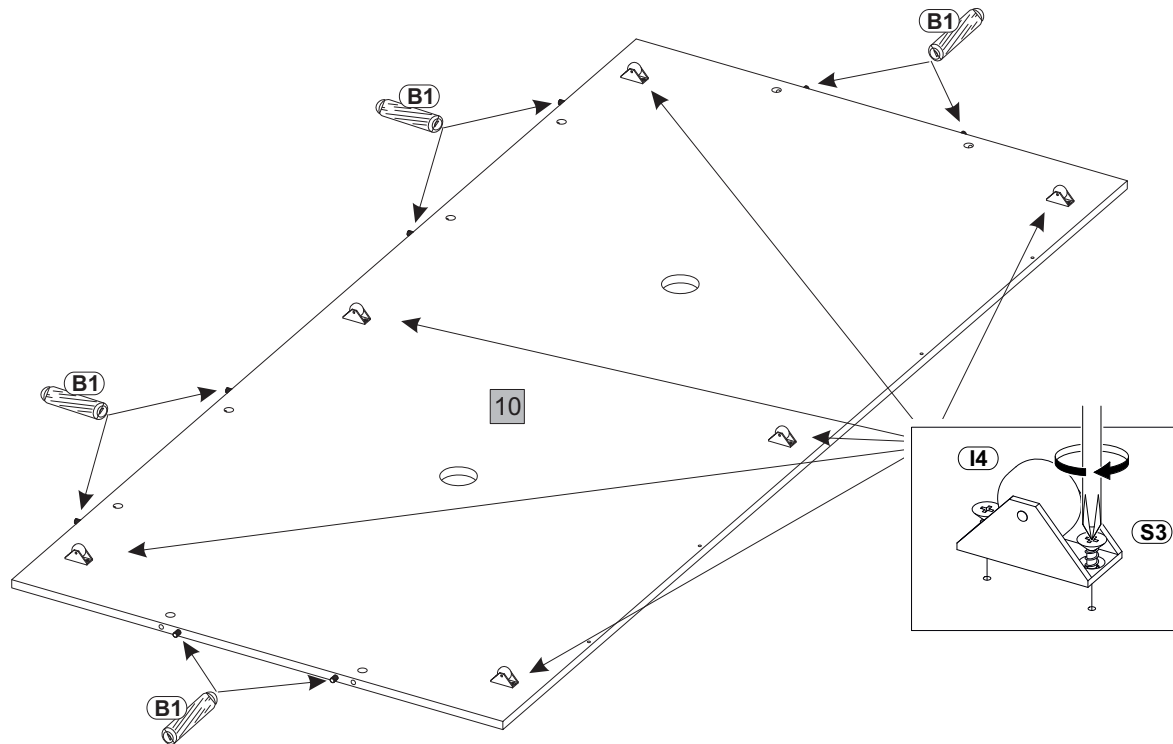
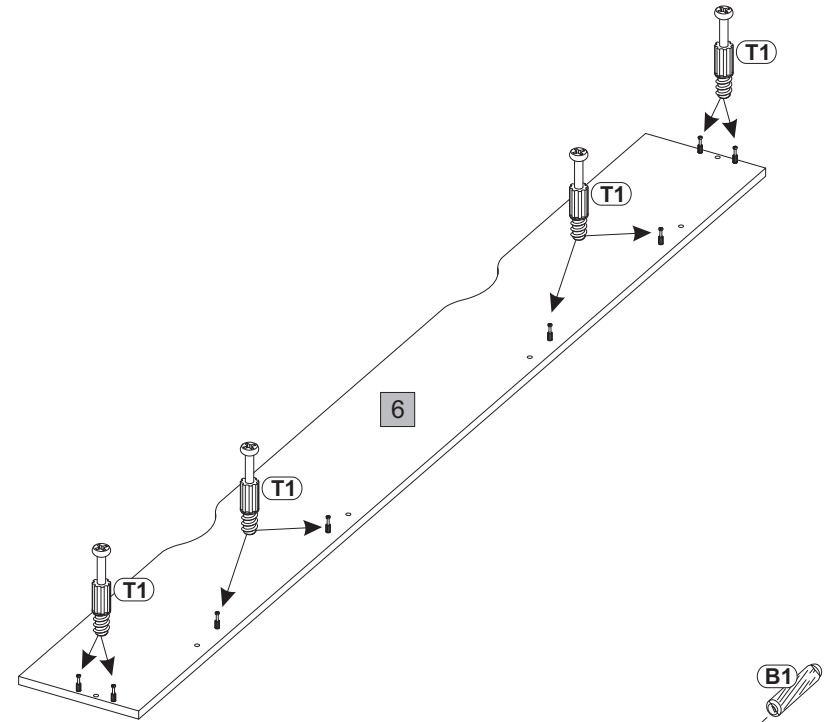
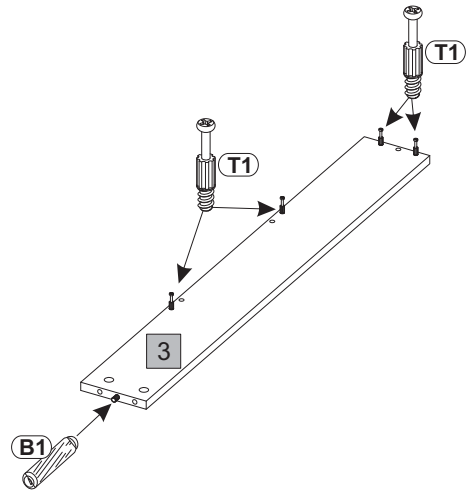
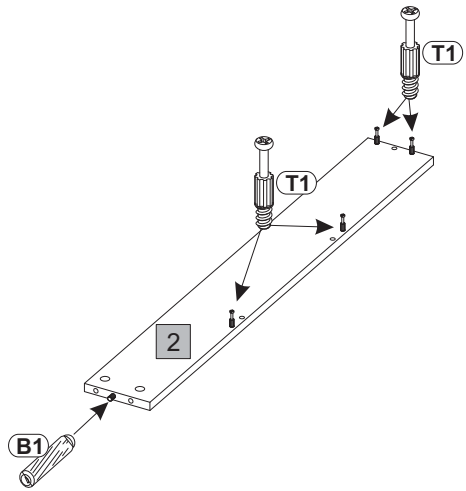
2

B1  $\phi 8 \times 28$ x14

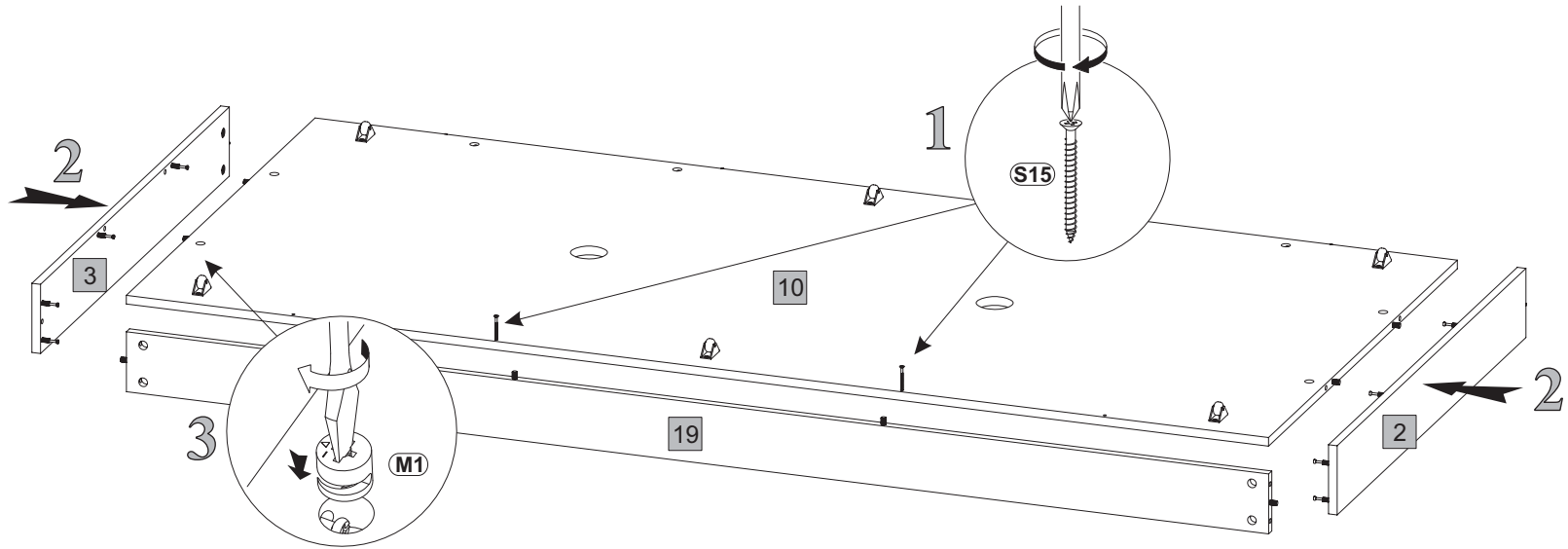
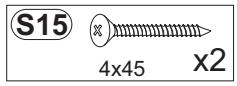
T1  x16

I4  x6

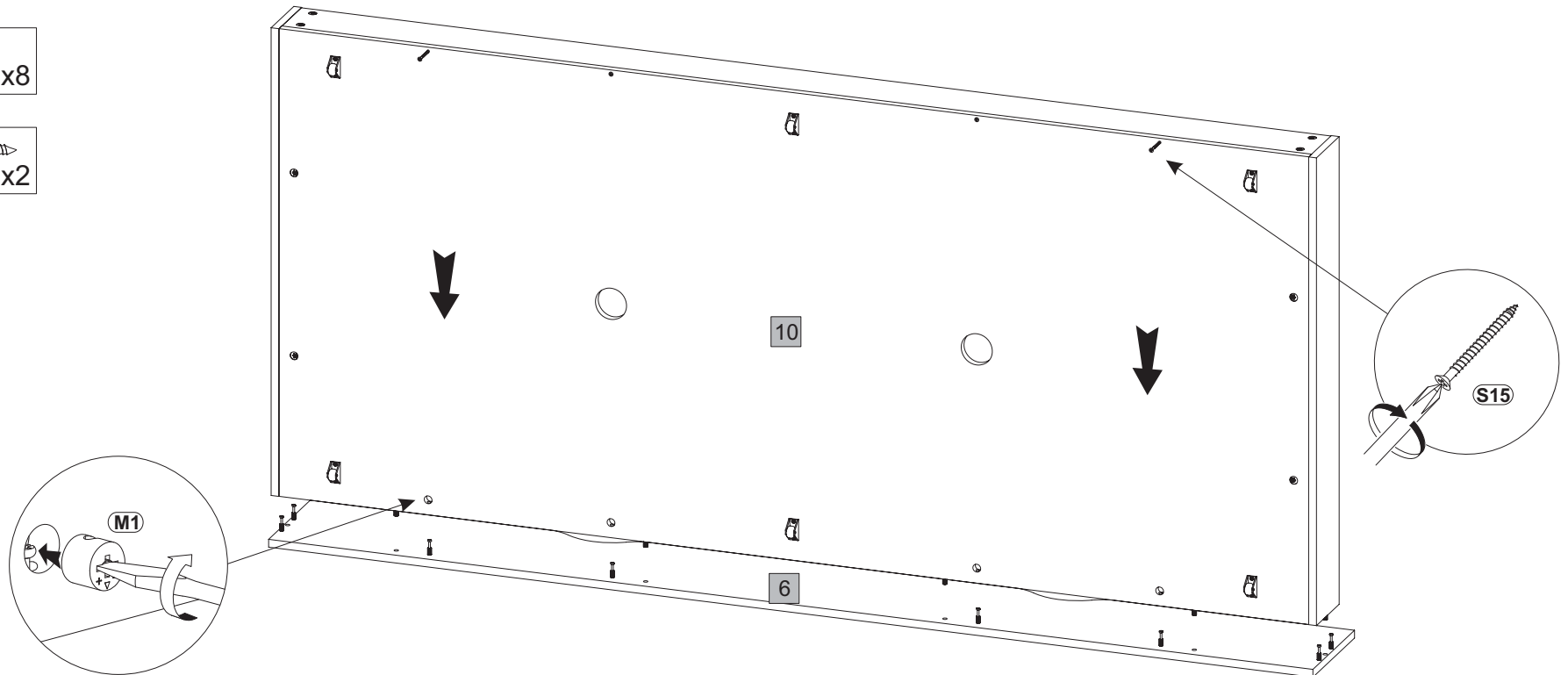
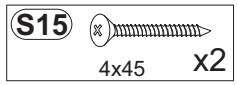
S3  3,5x13 x12



3

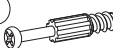



4




5

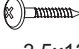
B1  ϕ 8x28 x26

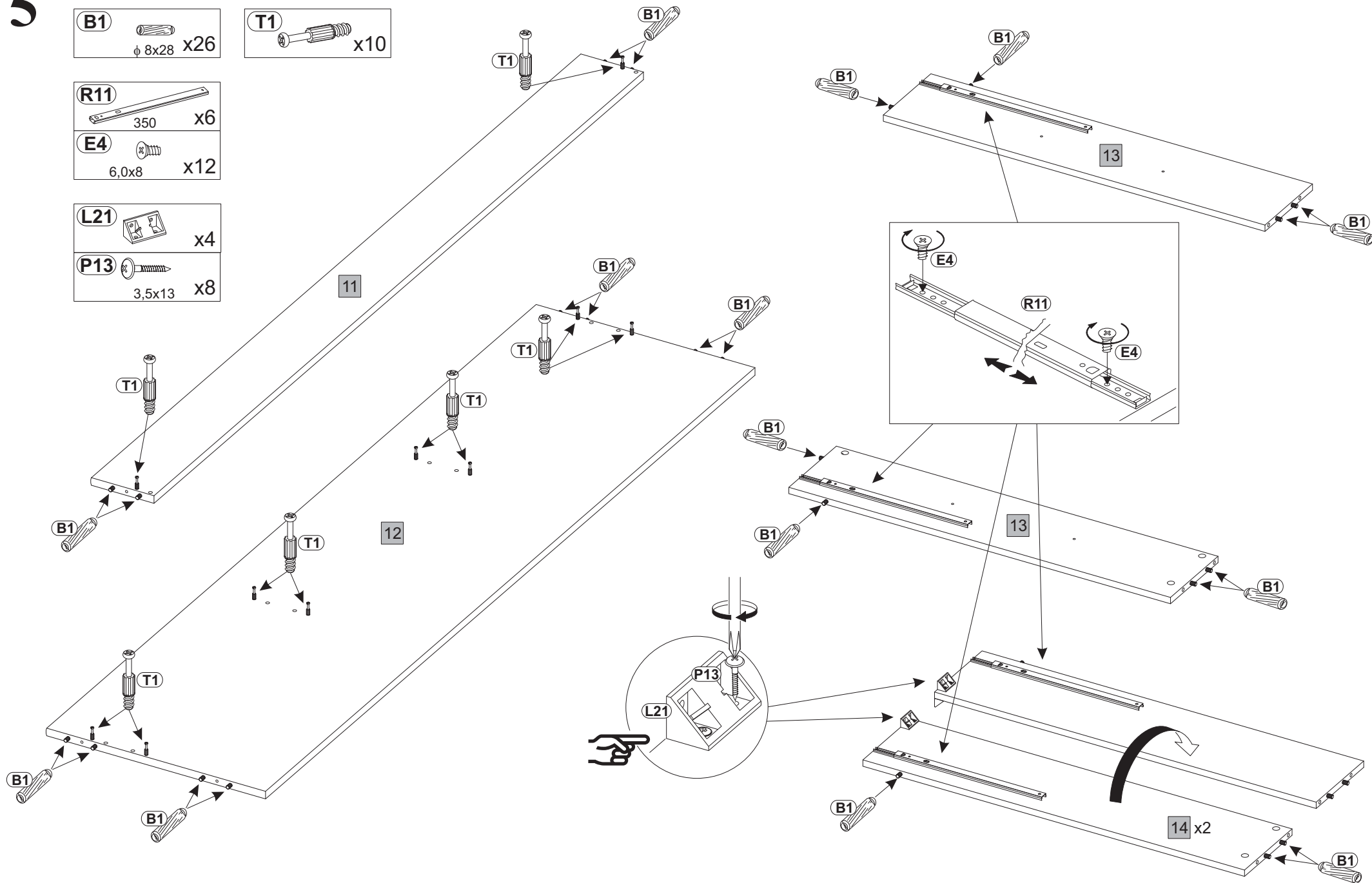
T1  x10

R11  350 x6

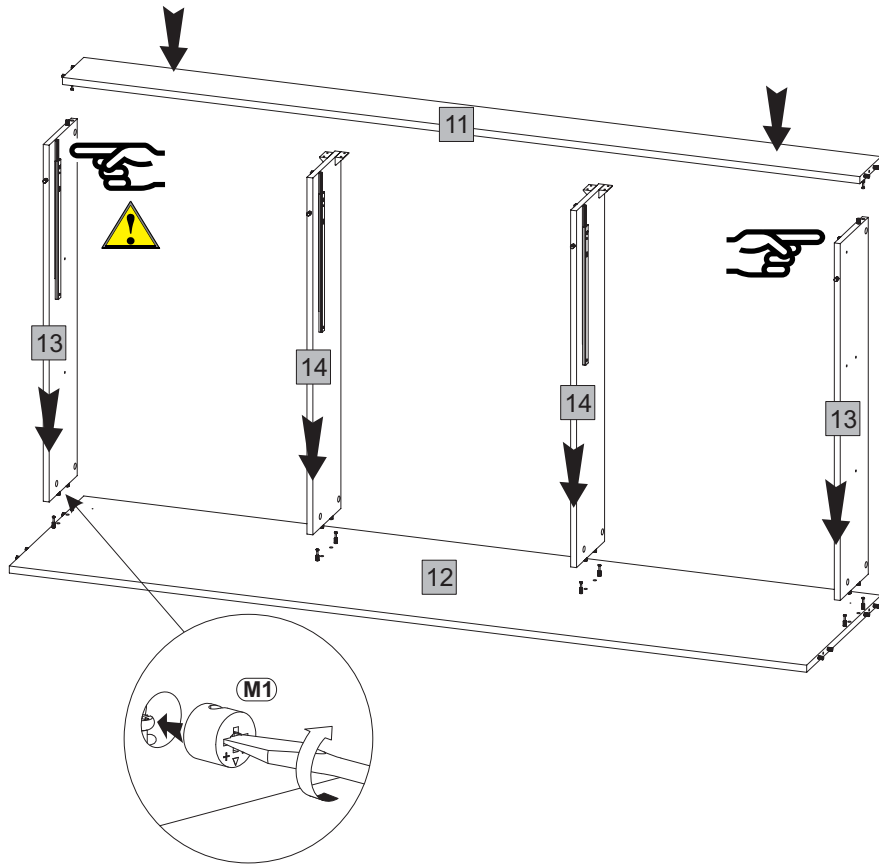
E4  6,0x8 x12

L21  x4

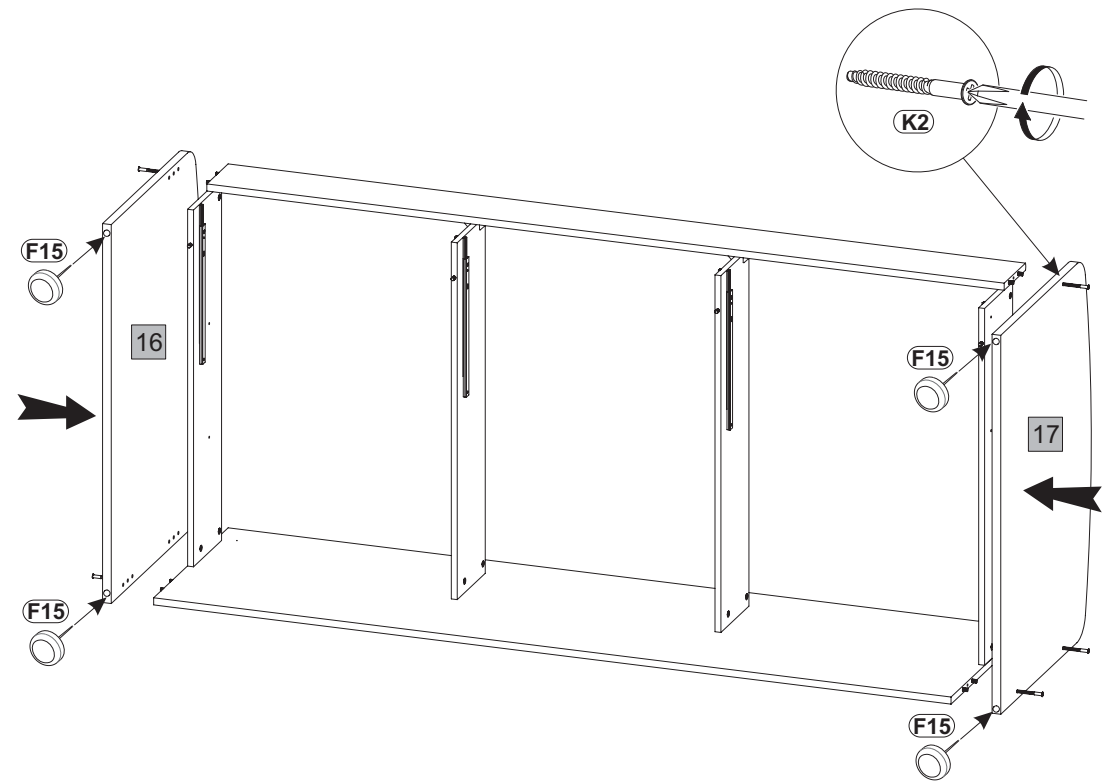
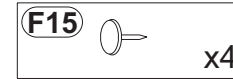
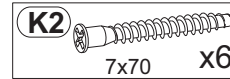
P13  3,5x13 x8




6

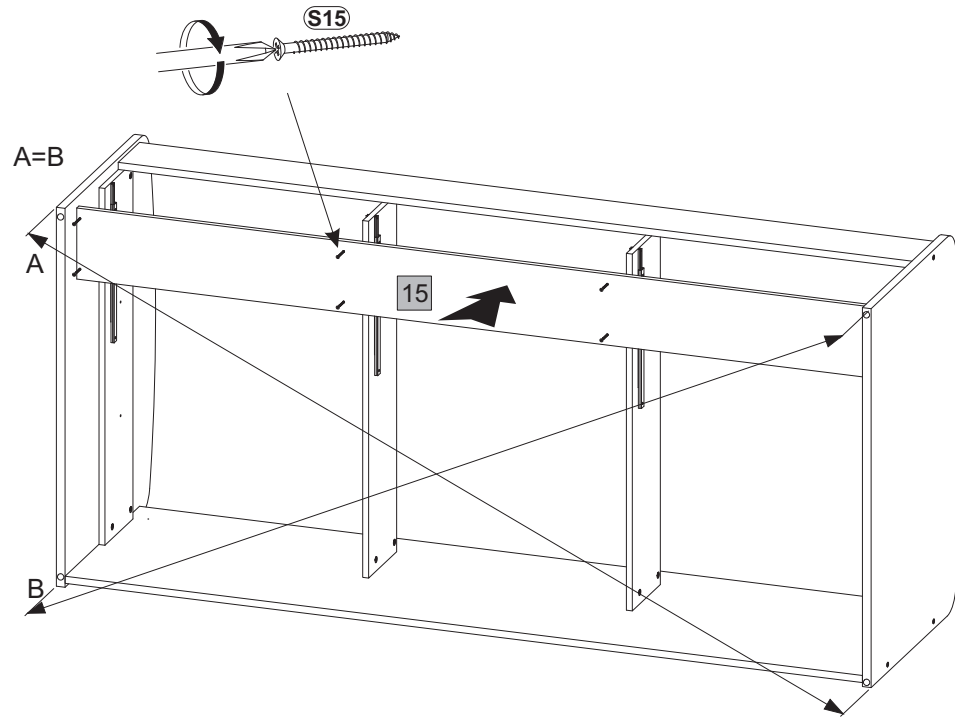


7




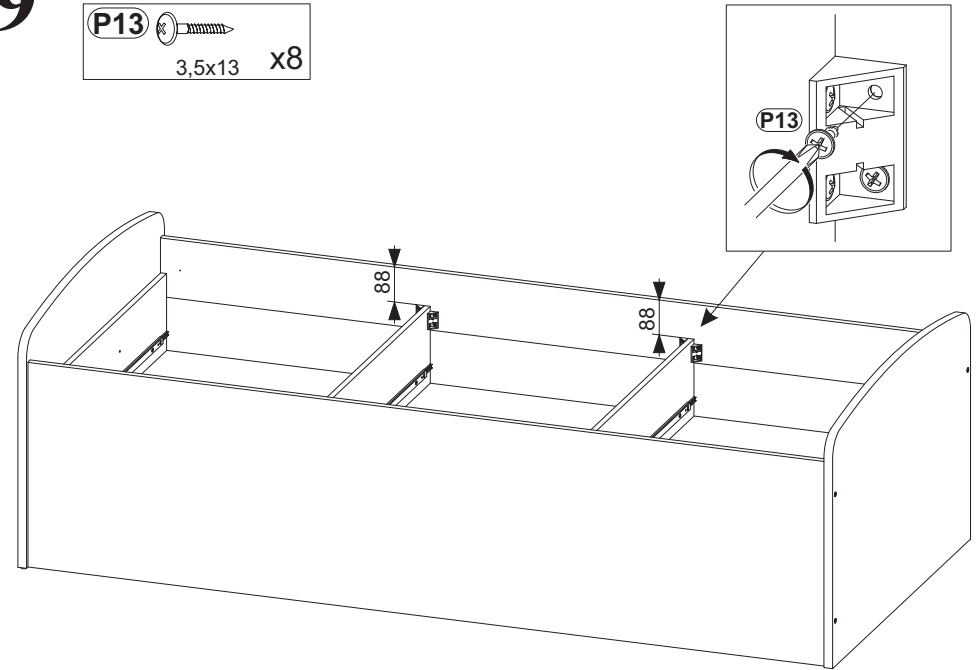
8

S15  4x45 x8

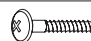


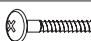
9

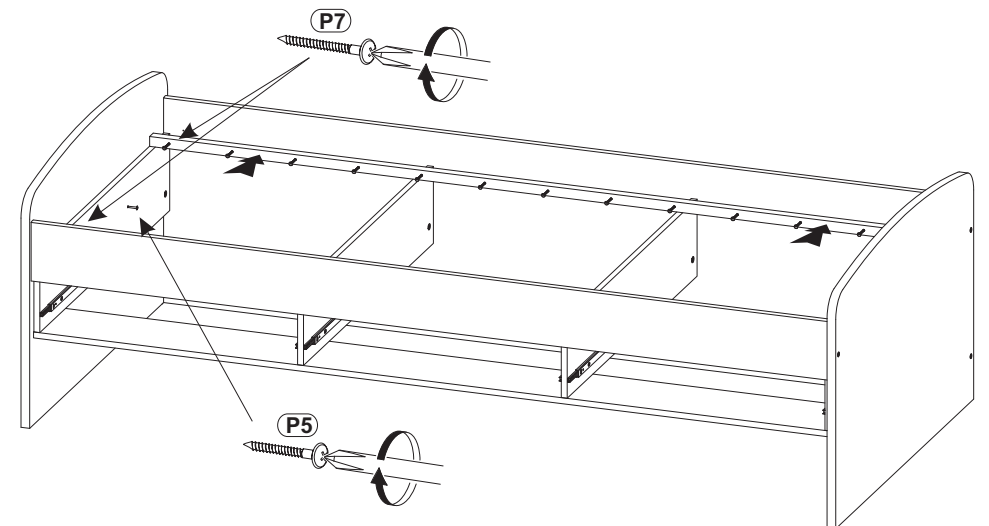
P13  3,5x13 x8



10

P7  4x40 x26

P5  4x30 x4



11

